



Model Number:  
**A-VGAL1-3032 to 3035**

RF Components

# L-band Smart Amplifier

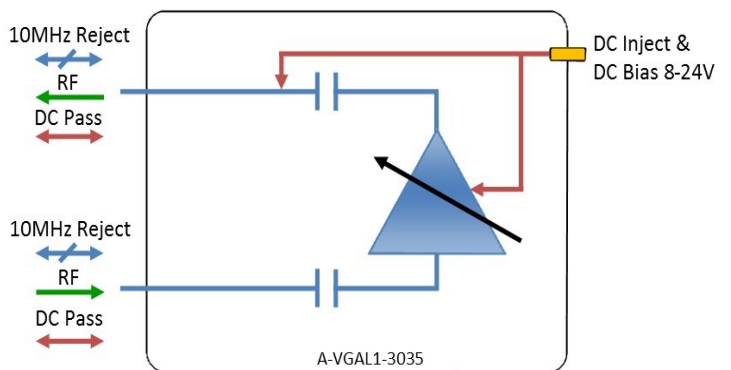
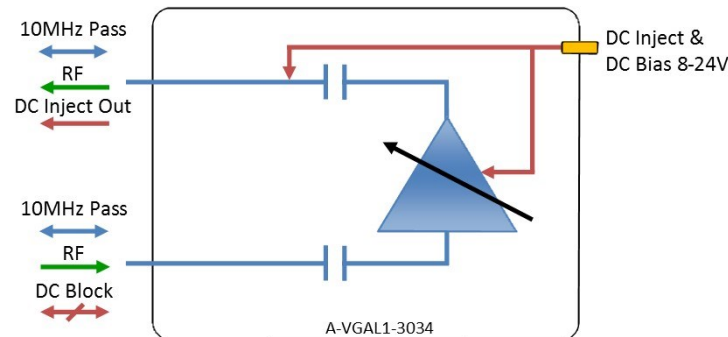
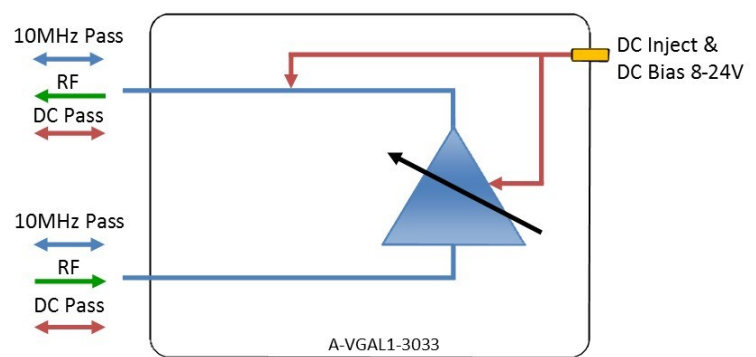
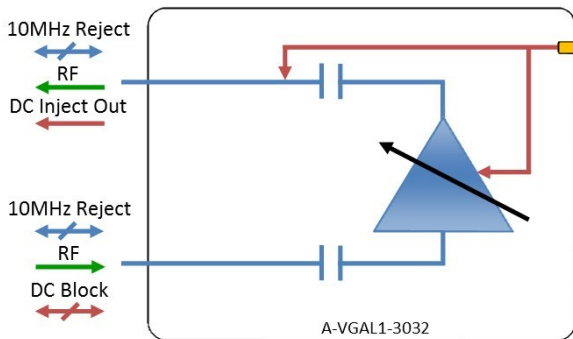
## 850 to 2150MHz



- Variable gain & variable slope
- Can be remotely controlled using ETL's controller CTR-9900
- Gain range is 8 to 38 dB in 0.5dB steps
- Slope is 0 to +8dB in dB steps
- Optional DC inject onto the RF input port for LNB supply
- Requires a DC power supply from 8-24V Max.

Available with RF connector options:

- 50 Ω SMA
- 50 Ω N-type
- 50 Ω BNC
- 75 Ω BNC
- 75 Ω F-type



Environmental	
Operating Temperature	0°C to +55°C
Storage Temperature	-20°C to +75°C
Location	Indoor use Only
Humidity	Max 85% non-condensing
Altitude	Max 10,000 feet

Max Operating Parameters	
Input RF Power	+24dBm
DC Voltage	28V
DC Current	Max 500mA max DC current for LNB supply

**!** Operation beyond these limits may cause instantaneous and permanent damage.

### Broadcast



### Marine Oil & Gas



### SNG & VSAT



### Satellite Teleport





RF Components

Model Number:  
**A-VGAL1-3032 to 3035**  
*L-band Smart Amplifier*

RF Parameters					
A-VGAL1-3032 DC and 10MHz Block	S5S5	N5N5	B5B5	B7B7	F7F7
Frequency Range	850-2150 MHz				
RF Connectors	50Ω SMA	50Ω N-Type	50Ω BNC	75Ω BNC	75Ω F-Type
Gain (dB)	8-38	8-38	8-38	8-38	8-38
Gain vs. Frequency Variation (dB)	Typ.	± 0.75	± 0.75	± 0.80	± 1.0
	Max.	±1.5	±1.5	±1.8	±2.0
Input Return Loss (dB)	Typ.	18	18	14	14
	Min.	15	15	12	8
Output Return Loss (dB)	Typ.	18	18	14	14
	Min.	15	15	12	8
Output P1dB GCP* (dB)	Typ.	15	15	15	15
	Min.	13	13	13	13
Output IP3 (dBm)	Typ.	25	25	25	25
Noise Figure** (dB)	Typ.	9	9	9	9

\*1dB Gain Compression Point (1dB GCP) is in relation to output power.  
GCP measured at centre of frequency band  
\*\* Gain settings > 25dB

RF Parameters					
A-VGAL1-3033 DC and 10MHz Pass	S5S5	N5N5	B5B5	B7B7	F7F7
Frequency Range	850-2150 MHz				
RF Connectors	50Ω SMA	50Ω N-Type	50Ω BNC	75Ω BNC	75Ω F-Type
Gain (dB)	8-38	8-38	8-38	8-38	8-38
Gain vs. Frequency Variation (dB)	Typ.	± 0.75	± 0.75	± 0.80	± 1.0
	Max.	±1.5	±1.5	±1.8	±2.0
Input Return Loss (dB)	Typ.	18	18	14	14
	Min.	15	15	12	8
Output Return Loss (dB)	Typ.	18	18	14	14
	Min.	15	15	12	8
Output P1dB GCP* (dB)	Typ.	15	15	15	15
	Min.	13	13	13	13
Output IP3 (dBm)	Typ.	25	25	25	25
Noise Figure** (dB)	Typ.	9	9	9	9

\*1dB Gain Compression Point (1dB GCP) is in relation to output power.  
GCP measured at centre of frequency band  
\*\* Gain settings > 25dB

**Broadcast**



**Marine Oil & Gas**



**SNG & VSAT**



**Satellite Teleport**





RF Parameters					
A-VGAL1-3034 DC Block and 10MHz Pass	S5S5	N5N5	B5B5	B7B7	F7F7
Frequency Range	850-2150 MHz				
RF Connectors	50Ω SMA	50Ω N-Type	50Ω BNC	75Ω BNC	75Ω F-Type
Gain (dB)	8-38	8-38	8-38	8-38	8-38
Gain vs. Frequency Variation (dB)	Typ.	± 0.75	± 0.75	± 0.80	± 1.0
	Max.	±1.5	±1.5	±1.8	±2.0
Input Return Loss (dB)	Typ.	18	18	14	14
	Min.	15	15	12	8
Output Return Loss (dB)	Typ.	18	18	14	14
	Min.	15	15	12	8
Output P1dB GCP* (dB)	Typ.	15	15	15	15
	Min.	13	13	13	13
Output IP3 (dBm)	Typ.	25	25	25	25
Noise Figure** (dB)	Typ.	9	9	9	9
*1dB Gain Compression Point (1dB GCP) is in relation to output power. GCP measured at centre of frequency band ** Gain settings > 25dB					

RF Parameters					
A-VGAL1-3035 DC Pass and 10MHz Block	S5S5	N5N5	B5B5	B7B7	F7F7
Frequency Range	850-2150 MHz				
RF Connectors	50Ω SMA	50Ω N-Type	50Ω BNC	75Ω BNC	75Ω F-Type
Gain (dB)	8-38	8-38	8-38	8-38	8-38
Gain vs. Frequency Variation (dB)	Typ.	± 0.75	± 0.75	± 0.80	± 1.0
	Max.	±1.5	±1.5	±1.8	±2.0
Input Return Loss (dB)	Typ.	18	18	14	14
	Min.	15	15	12	8
Output Return Loss (dB)	Typ.	18	18	14	14
	Min.	15	15	12	8
Output P1dB GCP* (dB)	Typ.	15	15	15	15
	Min.	13	13	13	13
Output IP3 (dBm)	Typ.	25	25	25	25
Noise Figure** (dB)	Typ.	9	9	9	9
*1dB Gain Compression Point (1dB GCP) is in relation to output power. GCP measured at centre of frequency band ** Gain settings > 25dB					

**Broadcast**



**Marine Oil & Gas**



**SNG & VSAT**



**Satellite Teleport**

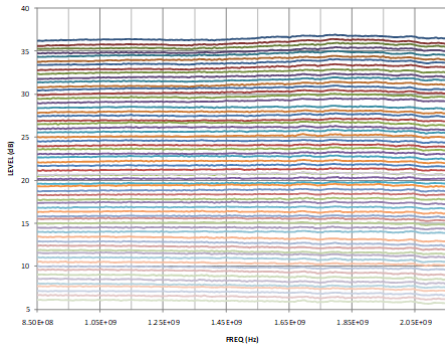




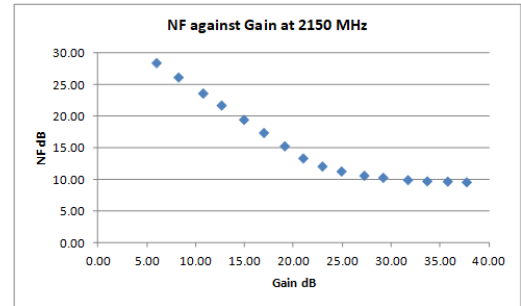
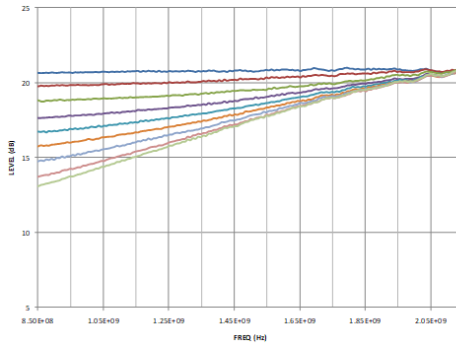
Model Number:  
**A-VGAL1-3032 to 3035**

RF Components

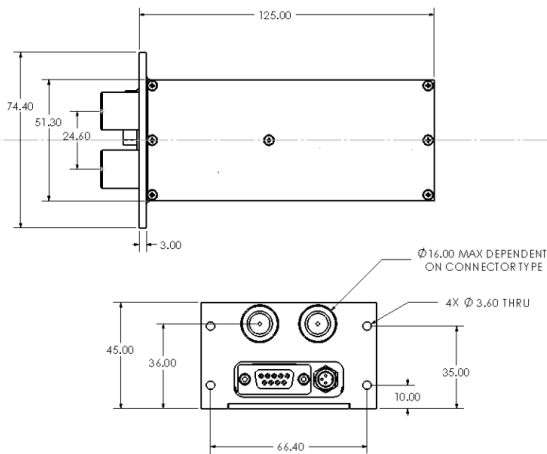
**Gain Control Characteristics**



**Slope Control Characteristics**



**Physical Dimensions (mm)**



**Smart Controller (see data sheet CTR-9900)**



**Smart Controller Web Browser Page**

Screenshot of the Smart Controller Web Browser Page. The page features the ETL logo and a navigation menu with links: Home, Configuration, SNMP Configuration, Firmware Upgrade, and Engineering. The main content area displays the following information:

Ethernet Control Card						
Power supply: 17.9V	Temperature: +30.0C					
Calculated performance at : 850MHz		Calculated performance at : 1500MHz			Calculated performance at : 2150MHz	
Gain: +30±1dB	NF ≤ 9dB	1dB GCP ≥ 15dB	Gain: +30±1dB	NF ≤ 9dB	1dB GCP ≥ 12dB	Gain: +30±1dB
Serial No: 001234		Model No: A-VGA-3024			Customer No: ETL Inc.	
Gain: 30dB	Slope: 0dB	LNB: OFF				
Monitoring: Set	Amp1: 4.5V	Amp2: 4.5V	Amp3: 4.5V	6.5V: 6.4V	5V: 5.0V	Temperature: 29.3C

Page Revision 1v0 - Copyright © 2012 ETL Systems Ltd.

Note: The specification is subject to regular reviews and will be updated from time to time as part of our continuing product development and improved specification accuracy.

ETL SYSTEMS LIMITED  
Coldwell Radio Station  
Madley  
Hereford  
England HR2 9NE

TELEPHONE  
+44 (0)1981 259020  
  
EMAIL  
info@etlsystems.com

FACSIMILE  
+44 (0)1981 259021  
  
WEB  
www.etlsystems.com

